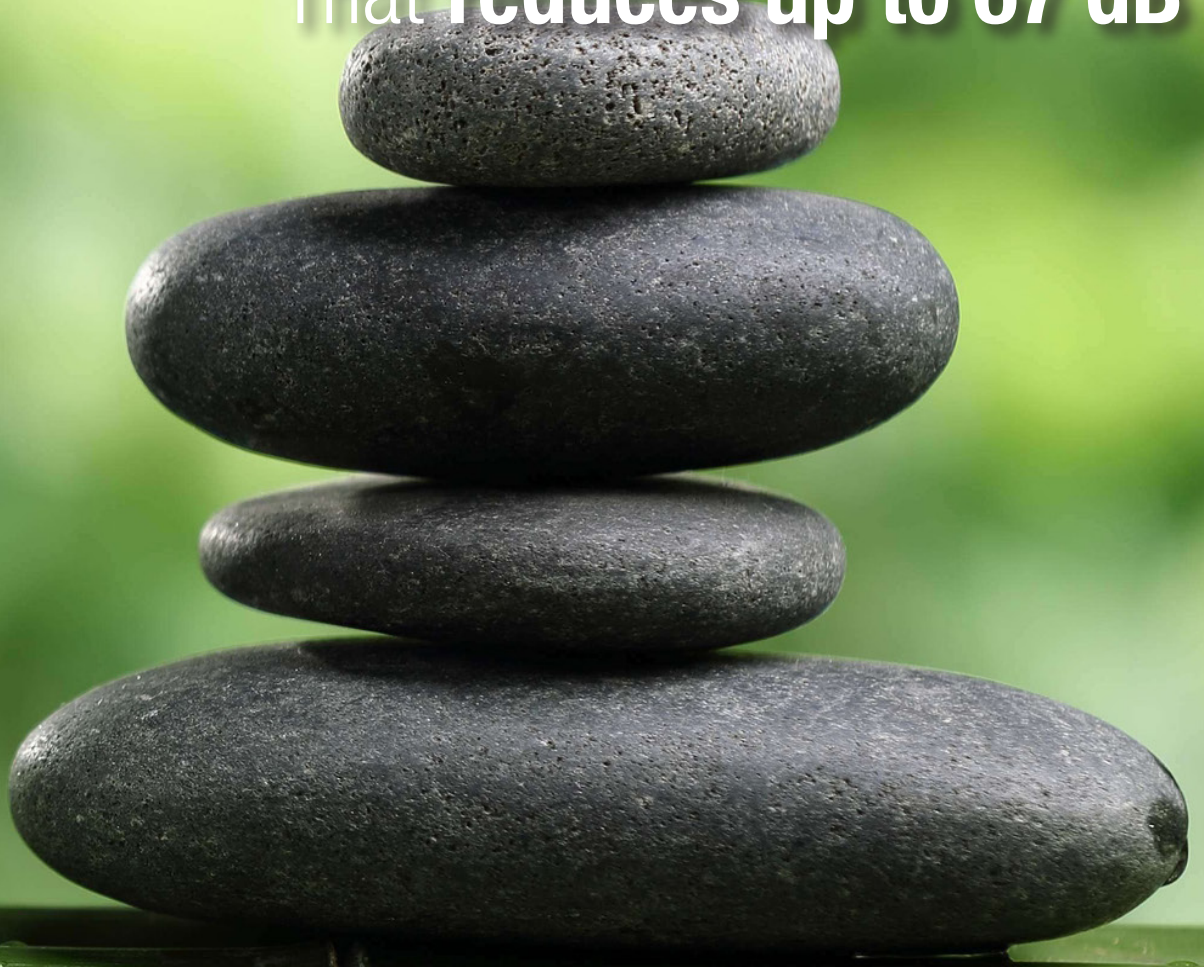


# DAMPDRY

Your dry Wall  
That **reduces up to 67 dB**



**DAMPER**  
system  
**ACOUSTIC  
INSULATION**



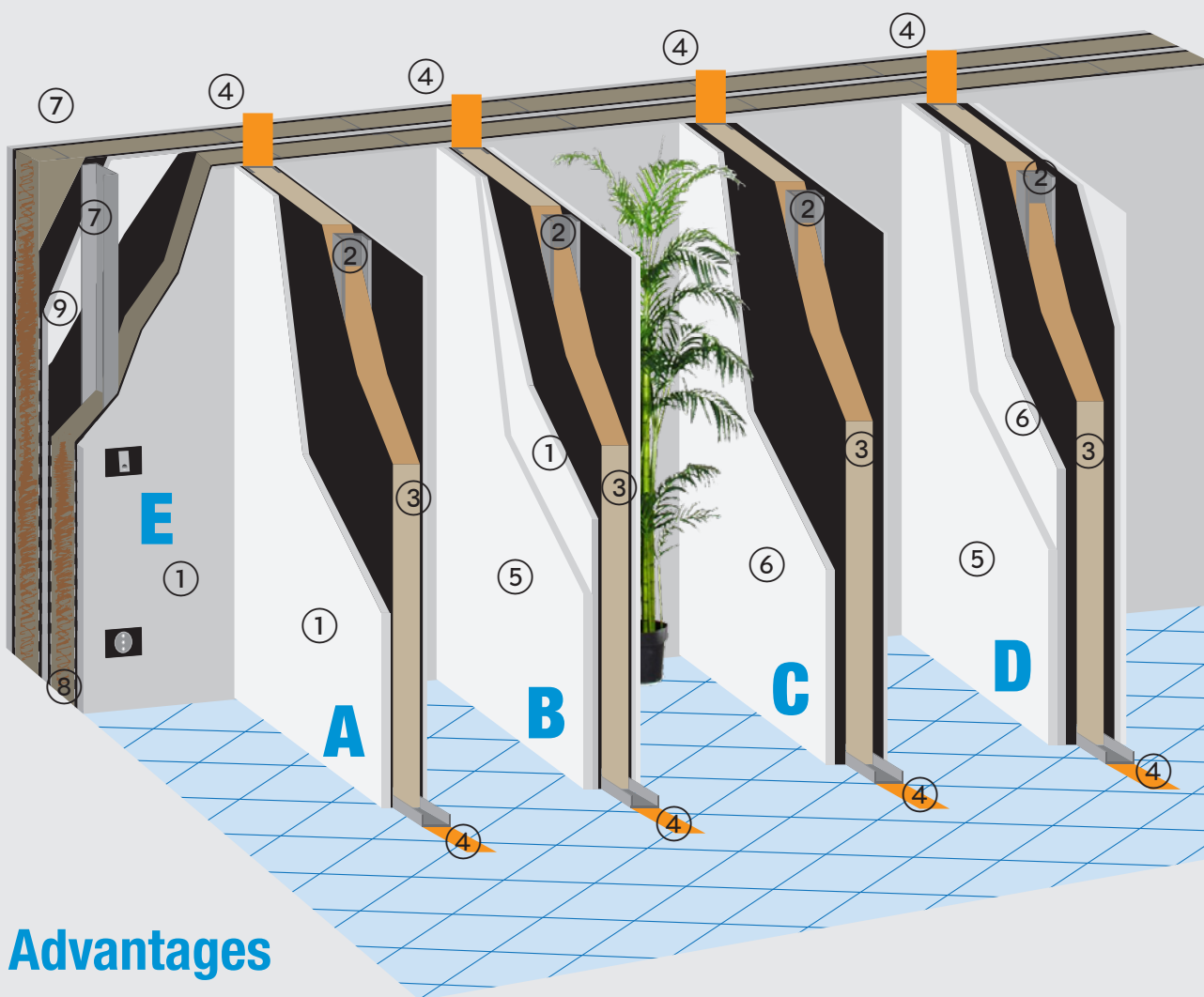
**recycled rubber**

# DAMPDRY



## DAMPDRY

The best solution for your dry-wall



### Advantages



**EXCELLENT  
NOISE REDUCTION**



**REDUCTION  
OF DRYING TIME**



**EASY TO INSTALL**

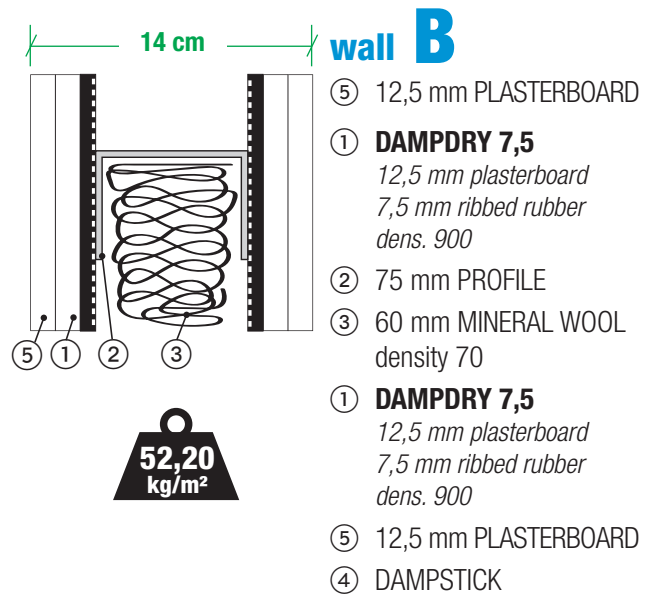
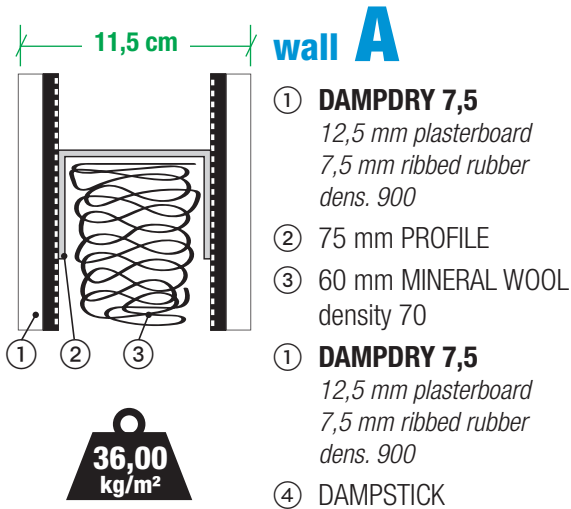


**WEIGHT REDUCTION  
OF WALL**

### Description

Dampdry is an innovative product composed of plasterboard and ribbed high-density extruded rubber (800 kg/m<sup>3</sup> to 900 kg/m<sup>3</sup>), made from recycled tyres

## DAMPDRY 7,5



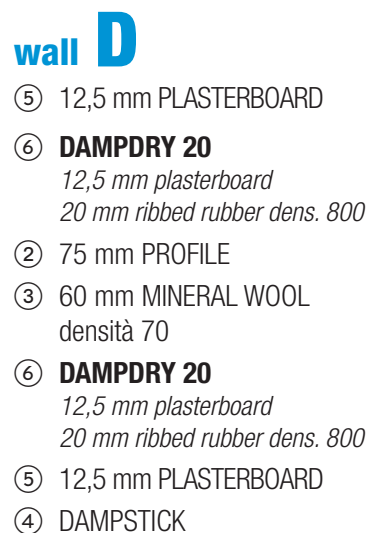
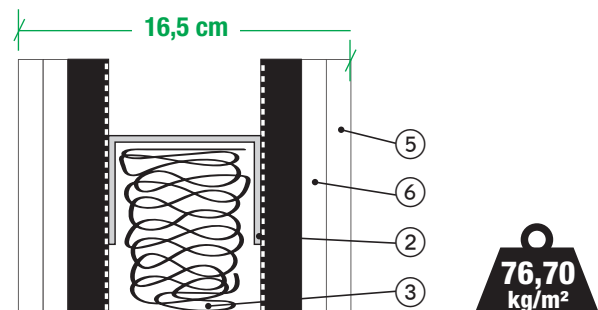
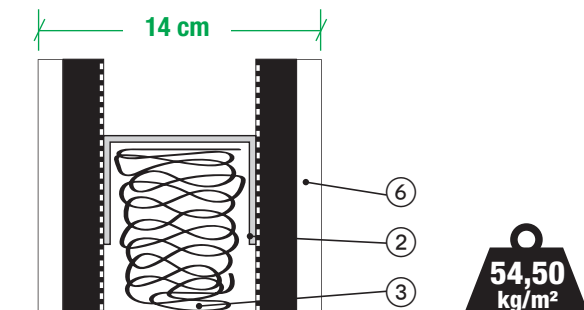
Acoustic performance **Rw=55 dB**

Test report n° 15-4664-001

Acoustic performance **Rw=61 dB**

Test report n° 15-4664-002

## DAMPDRY 20



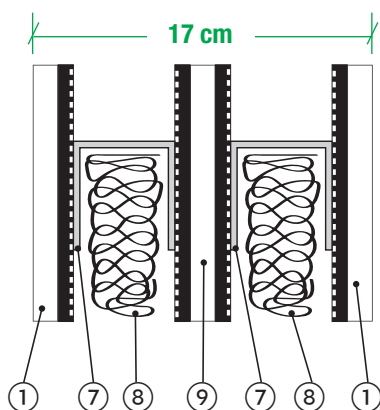
Acoustic performance **Rw=62 dB**

Test report n° 15-4664-005

Acoustic performance **Rw=67 dB**

Test report n° 15-4664-006

# DIVIDING WALL



**62,00**  
kg/m<sup>2</sup>

Acoustic performance **Rw=67 dB**

## wall E

- ① **DAMPDRY 7,5**  
12,5 mm plasterboard  
7,5 mm ribbed rubber dens. 900
- ⑦ 50 mm PROFILE
- ⑧ 40 mm MINERAL WOOL  
density 70
- ⑨ **DAMPDRY 7,5 + 7,5**  
7,5 mm ribbed rubber dens. 900  
12,5 mm plasterboard  
7,5 mm ribbed rubber dens. 900
- ⑦ 50 mm PROFILE
- ⑧ 40 mm MINERAL WOOL  
density 70
- ① **DAMPDRY 7,5**  
12,5 mm plasterboard  
7,5 mm ribbed rubber dens. 900
- ④ DAMPSTICK

## PACKAGING

### DAMPDRY 7,5 mm

Standard boards 120 x 200 cm  
30 boards per pallet  
Pallet dimensions: 120 x 200 x 80 cm  
Weight 1,080 kg

### DAMPDRY 20 mm

Standard boards 120 x 200 cm  
20 boards per pallet  
Pallet dimensions: 120 200 x 80 cm  
Weight 1,552 kg

On request we can provide sizes other than those quoted



24050 Mornico Al Serio (BG) - I - Via Fornace  
Tel. +39 035 4490440 - Fax +39 035 4490752

[www.projectforbuilding.com](http://www.projectforbuilding.com) - [info@projectforbuilding.com](mailto:info@projectforbuilding.com)

